

Probe mm.[inch]

STRUCTURE-FEATURE

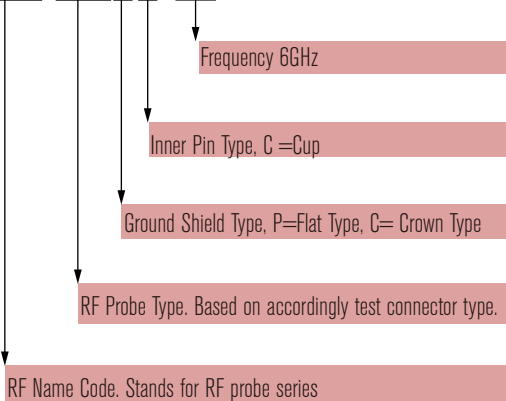
ELECTRICAL		MECHANICAL & ENVIRONMENTAL	
Voltage Rating	250V Max	Installation Hole Size:	6.8[.268]
Frequency Range	DC to 6GHz	Max Stroke:	3.0[.118]
Impedance	50 Ohm	Durability:	10000 cycles
Insulation	5000 MOhm. min.	Temperature	-55 ~ +165 °C
V.S.W.R	1.3max(DC ~ 3GHz)		
	1.7max(3 ~ 6GHz)		
Insertion Loss	0.50dB(DC ~ 3GHz)		
	0.85dB(3 ~ 6GHz)		
Withstanding Voltage:	AC300V +/- 20V		

APPLICATION

- 1.MM8430-2600/2610B
- 2.MM8130-2610B
- 3.MM8030-2600B

RF PROBE ORDER

FTOP-314PC-6G



1. SMA female will be preferred design if no required.
2. Different type connectors can be designed.
3. Please contact us for customized issue.